



Pipe Rack Jack MS1 (PRJ)

EASY PIPE LIFTING TOOL

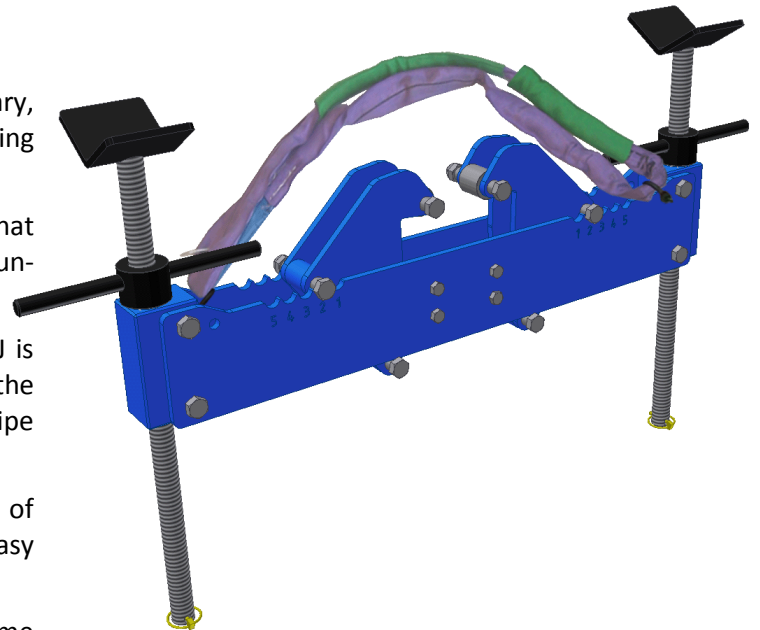
The Pipe Rack Jack® is a patented, revolutionary, simple and yet highly cost effective unit serving the pipe fitting industry.

B&R Engineering developed this unit so that expensive cranes and scaffolding become unnecessary.

Lifting pipes in pipe racks by means of the PRJ is very easy and safe, just by mounting the PRJ at the bottom of the beam that is supporting the pipe and pushing the pipe upwards.

Inspection of pipes, replacing or refurbishing of supports, ... can be done in a very cheap and easy way.

The PRJ is indispensable for any job where time and money wants to be saved!



*** Welcome to the age of innovation! ***



Technical specifications

- Base material: anodized high tensile aluminium
- Beam width: 100 - 320 mm
- Beam height: 100 - 320 mm
- Maximum load: 2500 kg
- Operating temperature: -40°C to +100°C
- Lifting height: minimum 150 mm
- Weight: 16.4 (body) + 4.6 (spindle 1) + 4.6 (spindle 2) = 25.6 kg
- Dimensions: 926 x 278 x 120 mm

Benefits

- Cost effective
- Saves time
- Simple
- No hoisting device = no periodic inspection
- Solid
- Corrosion resistant
- CE approved
- Conform acc to 2006/42/EG standard
- Multifunctional
- Purely mechanical device

Accessories

- Attachments to lift in function of the pipeline material
- Multiple wire lengths
- Handy storage case

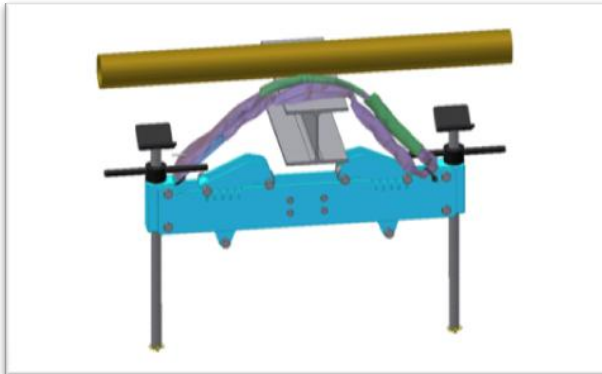




Target groups and industries

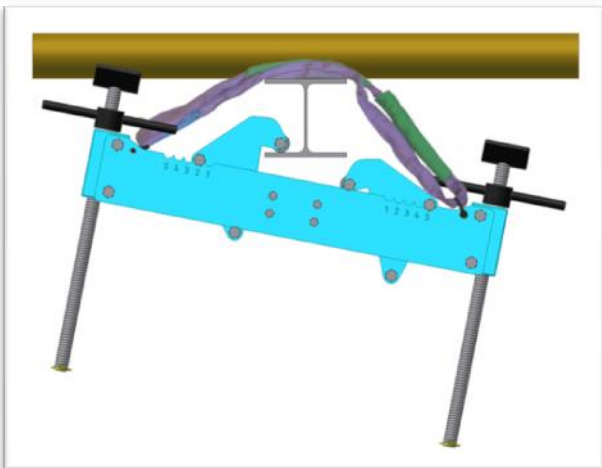
- Pipeline builders
- Maintenance departments
- Security services (fire)
- Inspection services
- (Petro)chemical industry
- Power plants
- Refineries
- Paper mills
- Bio-ethanol plants
- LNG and offshore
- Food
- Industrial HVAC
- Wherever pipelines are present

Step by step

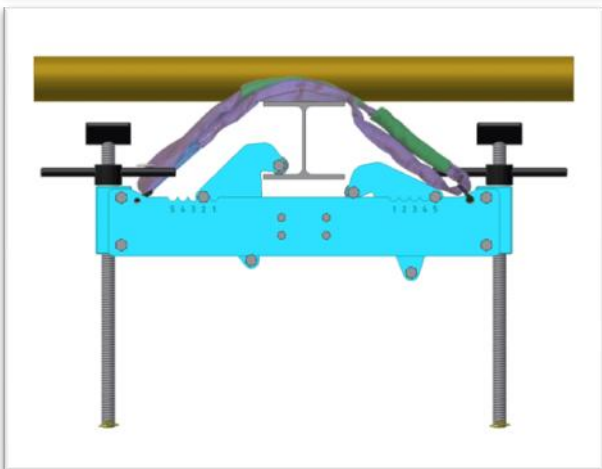


Hang PRJ on beam with belt.

Safety first!



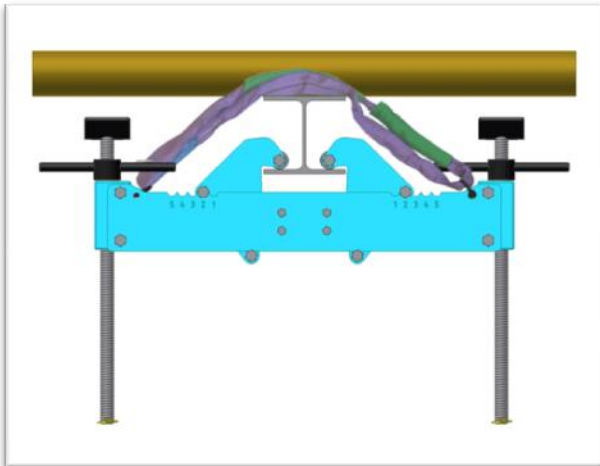
Hook one clamp at beam.



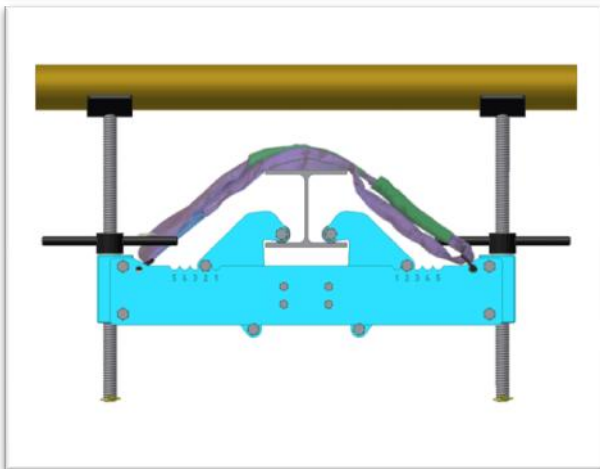
Bring PRJ horizontal.



Purple Engineering



Hook other clamp at beam.
Adjust both clamps to get them as
inwards as possible (there are 9
different distances).



Push the pipe by turning the spindle
nuts.

Contact

B&R Engineering

Lindberg 20

2520 Oelegem

Belgium

info@piperackjack.com

www.piperackjack.com



Purple Engineering

Australian Distributor

Phone: +61-1300 62 40 20

Fax: +61-8-6323 0605

Email: Sales@Purple-Eng.com.au

Skype: Purple.Engineering